

Main specification parameter for Excavator Chain Link

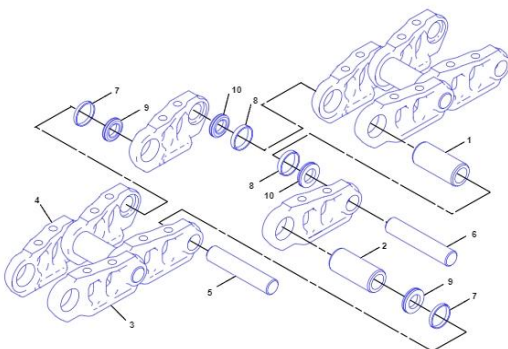
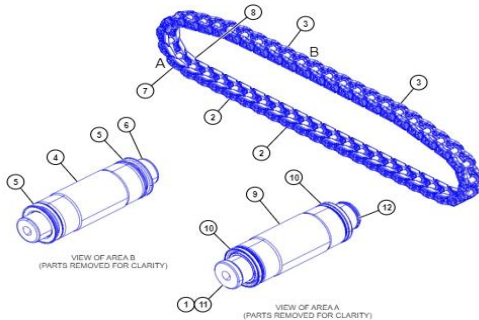
Brand	Model	Product Name	Part Number	Assembly Quantity	Weight
Caterpillar	6020	Cat 6020 On Track Link	4786982	1	2459kg



Compatible Equipment Models: 4786982

6020	6020B
-------------	--------------

Product Details

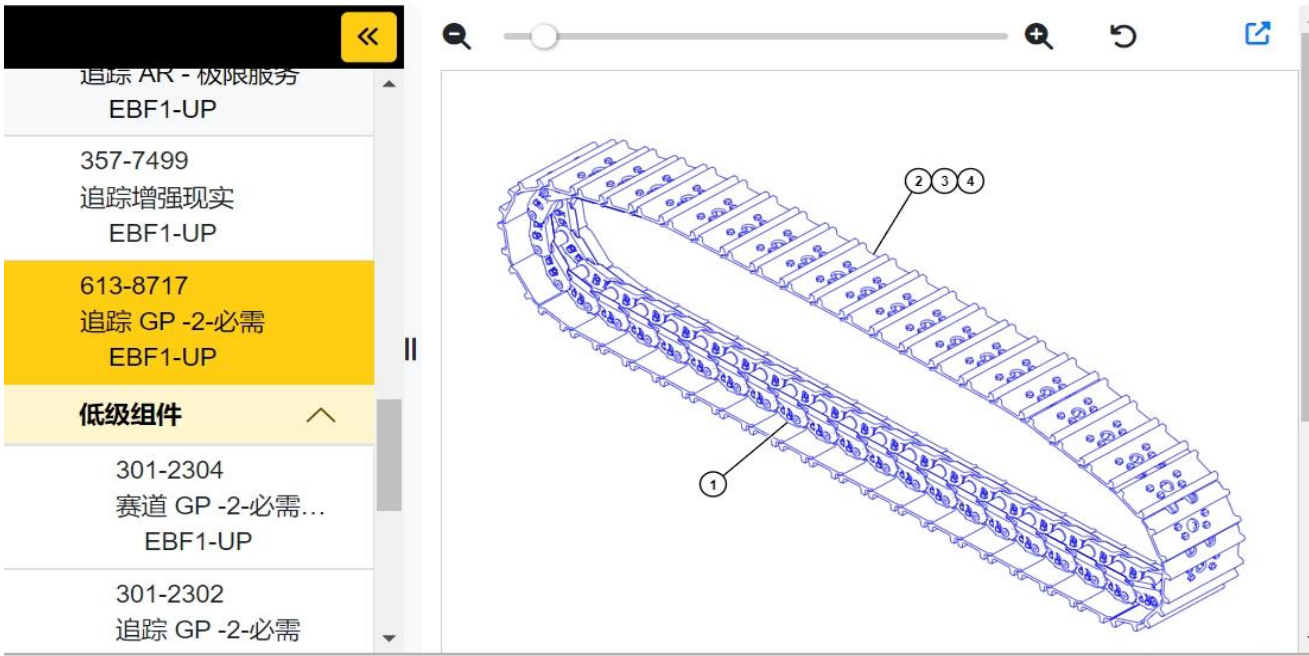


Product Name	Cat 6020 On Track Link
Part Number	4786982
Origin	United States
Model	6020
Quality Assurance	6-12 Month
Price	Negotiable
Brand Name	STONE
Packing Details	Standard Export Packing
Delivery Time	0-30 Days
Payment Term	L/C, T/T
Price Term	FOB, CIF, CFR
Supply Capacity	1000 PCS/Month
Minimum Order Quantity	1 PC
Material	High Quality Steel
Technology	Precision Machining
Surface	Treatment Anti-Corrosion Coating
Quality	Original Factory Standard
After-Sales Service	Full Support, Online Service
Color	Standard Caterpillar Yellow or Customizable
Application	Excavator
Customizable	including customized materials, surface treatment and specifications

Cat On Track Chain

4786982

仪表盘
部分
维修
服务
故障排除
3D 模型



STONE: Construction machinery parts expert in China



We are committed to providing a variety of parts including bulldozers, excavators and wheel loaders for well-known brands such as Carter and Komatsu. Our product line covers a full range of OEM parts, such as Track Chain, Track Rollers, Sprocket, Excavator Buckets, Blades, Excavator Cylinders, Swing Circles, and various electrical and hydraulic components to ensure that our customers' stringent requirements for quality and performance are met.



Stone (Shanghai) Engineering Machinery Co., Ltd. is a leading supplier of engineering machinery parts, focusing on providing high-quality parts for mining companies. Since its establishment in 2004, we have been based in Shanghai, China, and have built our own brand STONE, becoming a trusted choice in the industry.

Stone (Shanghai) Engineering Machinery Co., Ltd
sale@shmpine.com [whatsapp:+8613671661119](https://www.whatsapp.com/+8613671661119)